

# IMPORTANT INFORMATION TO READ and RETURN

## Installation Requirements for a Whitley A145 HEPA Anaerobic Workstation

Thank you for choosing one of our products for your laboratory. To enable our engineers to perform an efficient, trouble-free installation please study, complete, and email this form to us at [service@dwscientific.co.uk](mailto:service@dwscientific.co.uk). Should you have any questions, please do not hesitate to contact us, as we are here to help. When we have received the completed form, our Service Department will contact you to arrange a mutually convenient installation date.

**The following information represents the ideal requirement. Please contact us IMMEDIATELY if your intended location does not match this specification.**

Please initial the boxes below as appropriate:

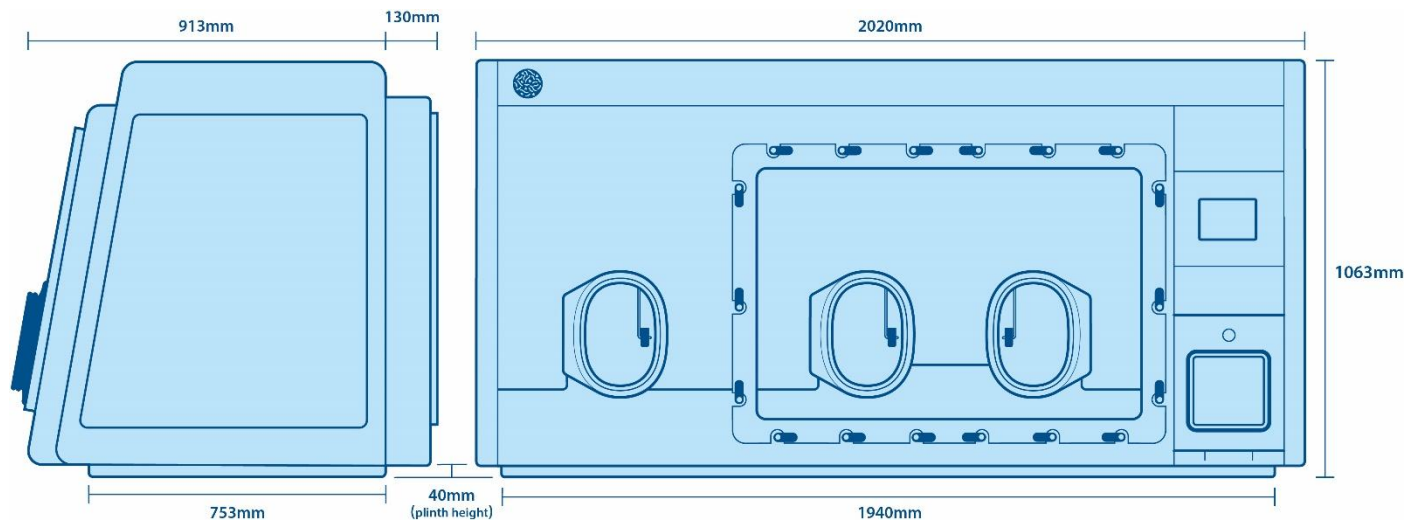
### Access Requirements

For access, the dimensions below should be taken into account when checking the size of doorways, lifts, stairs, etc.

### Space Requirements

The weight of the equipment is 247kg. This workstation comes complete with a bespoke trolley. However, if you wish to locate the workstation on a bench, please contact us to discuss the implications.

### External Dimensions



**Important note:** If bench mounted, a further minimum clearance of 500mm is required above the unit and a minimum clearance of 500mm on both sides of the unit is required for user/service access.

If the **Refrigeration System** is fitted, please allow a clearance of 770mm behind the workstation. If the **Heat Removal System** is fitted, please allow a clearance of 600mm behind the workstation. Some of this clearance is necessary for air circulation.

## Gas Requirements

The incoming gas supplies must be terminated near the right-hand side of the main chamber and fitted with leak-proof taps and pressure gauges.

The gas lines to which the equipment is attached are the responsibility of the user and should be constructed, tested and maintained to the standards specified within the British Compressed Gases Association (BCGA) Code of Practice CP4 (or international equivalent). Gas lines previously used for flammable gases must be purged prior to re-use.

Regulators should be fitted in accordance with the information contained in the table below and the various pressures strictly adhered to.

Gas Type	Connection Details	Cylinder Regulator Required	Regulator Outlet Range	Flow Rate (Sleeved Ports)	Flow Rate (IAPS)
Anaerobic Gas Mix (10% H <sub>2</sub> , 10% CO <sub>2</sub> and 80% N <sub>2</sub> preferred). If 5% H <sub>2</sub> is required, please refer to Technical Note MA105 for details.	¼" BSP male fitting or connection for 6mm Polyurethane tubing.  Hydrogen/Anaerobic Gas Mixture Regulator – Two Stage – Order Code <b>A01745</b>	Two Stage	4 - 6 bar (60-90 psi)	40 litres per minute (dynamic)	40 litres per minute (dynamic)
Nitrogen	¼" BSP male fitting or connection for 8mm Polyurethane tubing  Nitrogen Regulator – Two Stage – Order Code <b>A01748</b>	Two Stage	4 - 6 bar (60-90 psi)	Minimum 150 litres per minute (dynamic)	Minimum 100 litres per minute (dynamic)

## Suitable Connection Types (to affix to gas outlets on bottle/wall):



### Push in connection

(Fittings of choice for DWS. Supplied with DWS spares kit).



### Push on connection

(Alternative option. Not supplied by DWS)

## Mains Requirements

Electricity Supply:

240 Volts

Wall Socket:

1 x Three Pin, 13 Amp. Minimum 6A rating

## Other Considerations

Although the workstation should be located in a well-ventilated area, avoid close proximity to air conditioning systems and draughts caused by windows and doors.

Remember, if you do not have the required regulators you can order them from Don Whitley Scientific:

- Hydrogen/Anaerobic Gas Mixture Regulator – Two Stage – Order Code **A01745**
- Nitrogen Regulator – Two Stage – Order Code **A01748**

## Decontamination and Removal

If an existing workstation is being taken in part exchange or is being removed from the laboratory, it must be de-contaminated before being handled by DWS staff. A certificate or signed letter confirming the unit has been decontaminated must be given to our engineer.

There is a £400 fee for DWS to remove an existing unit from site. Please tick to accept this charge and an invoice will be provided.

If DWS is removing an existing workstation(s), please note the serial number(s) in the adjacent box.

**Temperature Mapping Option**

If you have purchased the temperature mapping option along with your workstation, please specify the required temperature in the adjacent box.

**Important**

In the UK, delivery and installation are free of charge (unless otherwise agreed). If our engineers are unable to install the unit and a return journey is necessary, **a charge may be made**. Export customers, please refer to your local distributor.

**It is essential that this form is completed and returned, to avoid delay to your installation.**

Signature	<input type="text"/>	Title	<input type="text"/>
Print Name	<input type="text"/>	Establishment	<input type="text"/>

**THANK YOU FOR THINKING WHITLEY**